

# VISTA

PO BOX 199 WASHINGTON MA 03078

```

1 2 3 4 5 6 7 8 9 0
Q W E R T Y U I O P
A S D F G H J K L ;
- Z X C V B N M , '

```

## VISTA NEWSLETTER

Vol. 3, No. 2  
T/S 1000,1500 and ZX-81

EDITOR'S COLUMN-- This edition of the newsletter is turning into quite an adventure in parts swapping. Last night, my disc drive went down, taking my working copy of the newsletter with it. After the obligatory weeping and gnashing of teeth, I decided to pull out some old equipment and try to put out the

newsletter "by alternate means". I burrowed around until I found my old Memotext module with the broken edge connector, found an extra connector in the parts box, and stayed up well past 2 a.m. repairing it. I am glad to have it on line, though my sloppy work will get sent to Dan Elliott for a repair as soon as the newsletter is out. I guess the moral of the story is you can never have too much "stuff"; spares are as good as gold. If you find something you might need, pick it up; there's not a lot of new stuff coming our way unless you can build it yourself. Inuff said, now, I'd like to welcome some new members that have come through the Public Domain Library program; Roy Brann, Pasadena, CA; Gary Zohn, West New York, NJ; Bob Barnett, Ft. Myers, FL; Dan Staight, Casper, WY; and William Forbes, Indiana, PA. We also have a new exchange newsletter, the CRACIET Newsletter, courtesy of Don Lambert, Cedar Rapids, IA. Welcome to you all; I hope that VISTA will prove to be a help to you in the coming months. Feel free to contact me at (206)567-4118, and I'll do my best to help... Tony Willing, ed.

GOODIES III-- Casting about, I have managed to drag in two Triangle Sinclair group newsletters, Vol. 3, No. 6, and one Vol. 3, No. 5; 3 Capital District club newsletters; a "49 Explosive Games for ZX-81" book by Tim Hartnell; a 2066 Intermediate/advanced guidebook; a copy of "Timex Sinclair User", Vol. 1, No. 3; and a T32066 "Flight Simulator" command cartridge with docs. If you're interested in any of these items, drop me a line or call, and we can work something out.

ERROR TRAPPING-- Seems the "ZX-Turbo" listing from last issue (3/1) is short some code, reports Bob Barnett of Ft. Myers, FL. I included the program courtesy of the Vancouver Sinclair User Group newsletter "ZX-Appeal", but somewhere along the way, about 37 bytes were left out. Bob ran through it with a disassembler and made this discovery. He has written to VSUG in hopes of getting the missing code; when he does we will publish the corrected program. Bob may even finish the code himself if he receives no reply. Thanks for your efforts, Bob.

FOR SALE-- One Digital Devices 64K Printer Buffer, complete. New RAM chips, very good condition. \$30.00, write to R. Arthur Gindin, Medical Arts Clinic, Suite 22, Princeton, WV 24740.

AN UNSOLICITED PLUG-- If you have a ZX/TS on the sick list, there is someone who will fix it-- Dan Elliott of Promise Land Electronics. I cannot recommend his work highly enough; very fast and VERY reasonable. He recently put a 2066 of mine back together for \$25 that I had given up on. He does upgrades and custom building as well as repair. You can reach Dan at Rt. 1, Box 117, Cabool, MO 65609, (417)469-4571 weekdays, and (314)739-1712 evenings, Sunday through Thursday.

LARKEN DDI REPORT/LIVING WITH A LARKEN-- As I have already mentioned, I am living on cassette tape again for the time being, as I have sent the Larken DDI to Dan Elliott for repair. Meanwhile, I still have some utilities to assist other Larken 1000 FDI Users. The disc utility programs are backed up on cassette tape and I can supply them to anyone interested enough to contact me. The Disc Doctor program by Peter McMullin is a must-have if you've ever lost a directory track, and there is a copy utility for 2 drives that is also useful. Mail me a cassette with return postage and you can see for yourself. I am also including in this issue the schematics for the Larken 1000 FDI, supplied to VISTA by Larry Kenney. These are very useful if you happen to have a problem or need to buy spare parts, as the parts list is included. Jameco Electronics flyer number 108 has most of the parts listed for sale at discount prices, ready to be closed out, so if you need some spare parts, hurry! A quick check reveals that most of the chips are priced at \$.29 to \$2.99, so it would be relatively inexpensive to outfit yourself with a complete set of spare chips. Jameco can be reached 24 hours at (415)592-8097, or written at 1355 Shoreway Rd., Belmont, CA 94602.

BITS AND PIECES-- I am sure most of you know that Fred Nachbaur's products were taken over by Jim Horne in Vancouver, Canada. Lately I have had disturbing reports that people have sent him money and/or hardware for trade and have not heard from him since. This is nothing new in the Sinclair hobby, and I hope that he is just running into some time constraint problems, as we all do. Most of these ZX-TS businesses are one-man shows, done after your main employment is done for the day. In any case, I am going to write to Jim Horne, as his catalog has many interesting things that are unavailable elsewhere and it would be a shame to lose another source of innovative goods. Some of you have asked about SNUG and its progress. Inevitably, as large an organization as this is going to take some time to put together, but elections have taken place, Neil Nathanson has been elected President, and they have had their first board meeting. The Public Domain Library

policies are being set and librarians confirmed, and their first issue of the club newsletter/magazine is nearly ready. The editor is Gary Lessenberry, who was transferred by the military to Japan temporarily JUST BEFORE he could get the newsletter to the printers. Mei has also had some health problems lately, which tends to slow things, but that is all hopefully behind him and all systems are "go". Contact SNUC at 7515 Arbordale Dr., Port Richey, FL 34668. As you know, Tim Ward and I have been asked to be SNUC T8-1000 librarian, and we have given them a conditional "yes", but we also want to keep some degree of independence and keep the library a user-group effort. The details are yet to be finalized, but we hope for an agreement that will benefit all. Finally, what of "Time Designs" magazine? All indications out of Oregon point to Tim Woods' desire to continue the magazine. Tim has reorganized the magazine and delegated some editorial authority to lighten his workload, and he hopes to publish every sixty days. Their family has had some hardships lately as well, the latest being the loss of Tim's father, and between the aforementioned, his employment, and the new addition to his family, the Woods family has found less time available for magazine production. We wish to extend our sympathy to the Woods family and hope for better times in the months to come.

IN THE MAILBAG-- The latest issue of "Time Designs" is out, Vol. 4, no. 5. Well, at least my copy is here. If you haven't received your copy, write or call and another will be sent to you. Time Designs Magazine, 29722 Hult Rd., Colton, OR 97017, (503)824-2658. The latest flyer from Curry Computer (POB 5607, Glendale, AZ 85312-5607, (602)978-2902) offers close out pricing on all lines of ZX-TS software, from T/8-1000 to Spectrum, and they also support the QL and Amstrad lines. As they say in their flyer, please call for more information. Finally, I received word from Parker Electronics in Jacksonville, FL that they had some 2040 printer paper for sale. Lots of it. 40 cases of it. At 3 rolls per pack, 16 packs per case, 40 cases, that's about 2000 rolls of paper, maybe more, as Kathy Kwilos, in charge of moving this paper, was not sure exactly how much they had. Parker Electronics manufactures computer-control heating and cooling systems for a major company in that field, and they used T/8-1000s as control devices and 2040 printers for read-outs. They sold off all the hardware and ended up with a warehouse full of thermal paper. I put her in touch with Rod Gowen of RMC Enterprises (1419 1/2 7th St., Oregon City, OR 97045, (503)655-7484) and I hope Rod could strike a good deal and offer a sale on thermal paper!

That will conclude the VISTA newsletter for the time being; I just realized that with the demise of my disc drive I have to address all these newsletters by hand-- my files are on disc! The joys of being the editor and publisher... I hope the schematics prove useful to you, and I will include a program submission from member Gerry Schupan of Kent, WA. Until next time, SINCLAIRLY, Tony Willing/VISTA, POB 199, Vashon, WA 98070.

# Sales Tax Chart

For TS 1000 and Timex 2040 Printer. Program requires minimum of 2k Ram. Gerald. U. Schupan, Kent, WA.

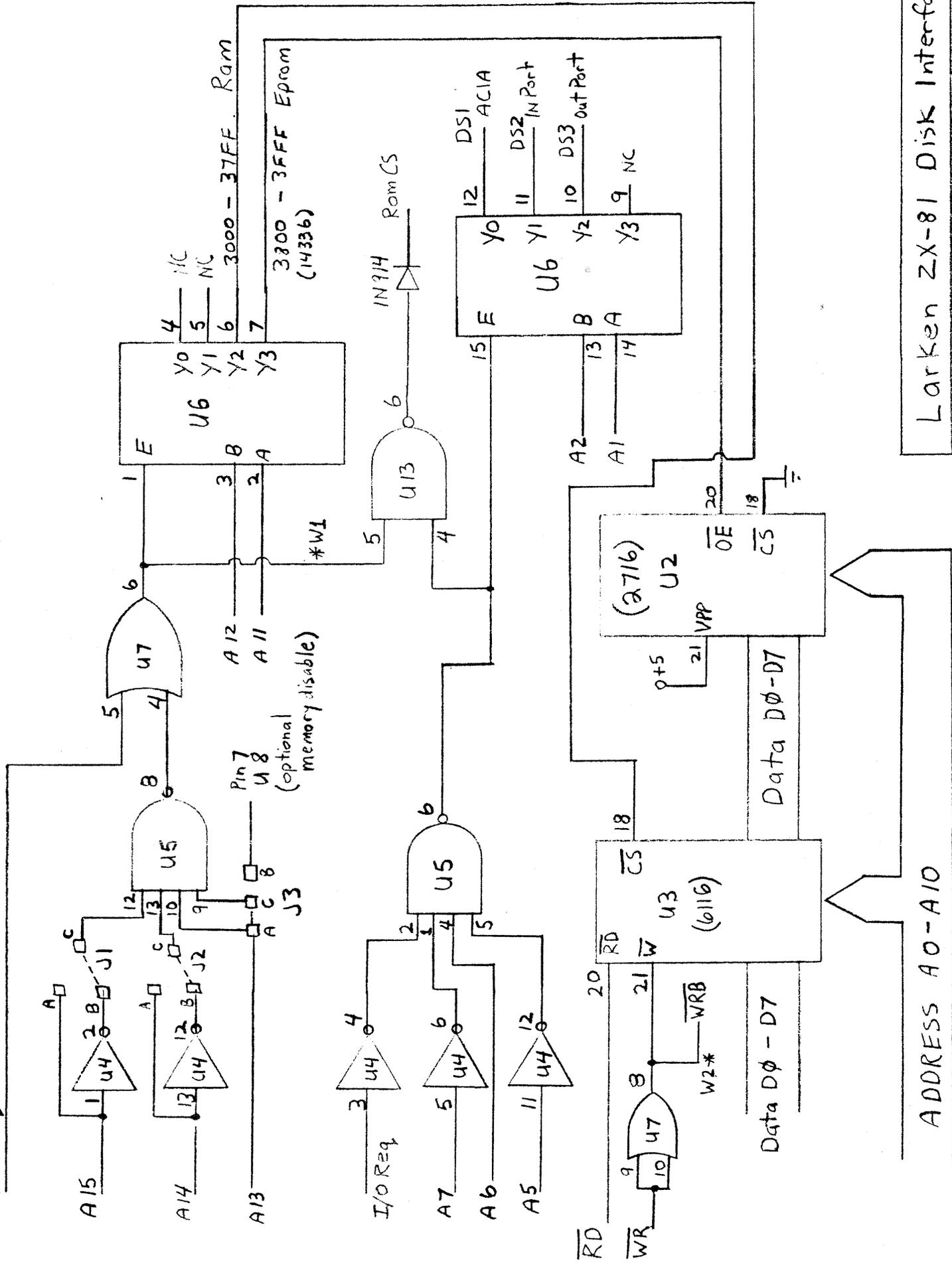
```

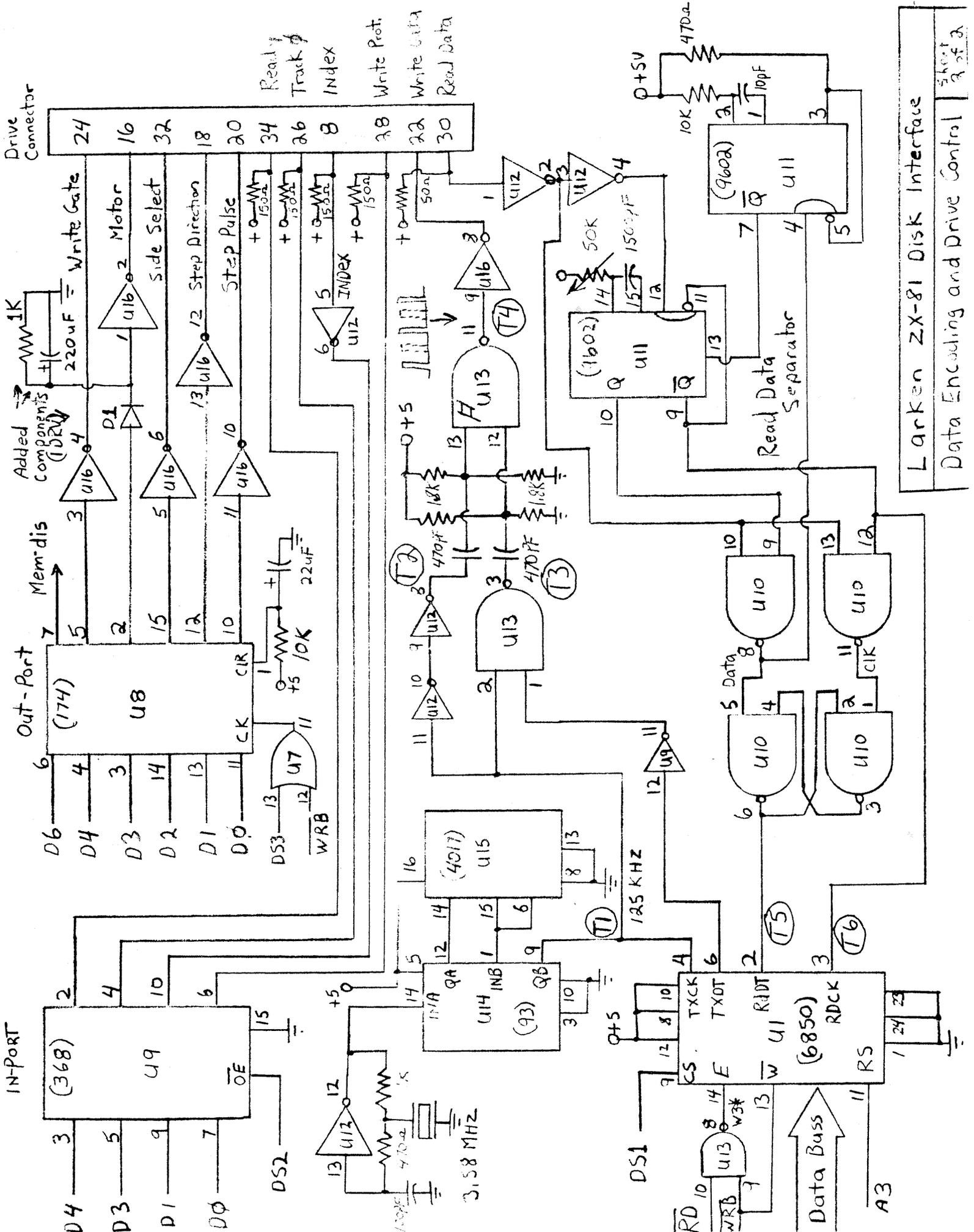
1 REM "TXCHT"
3 REM G. SCHUPAN 10-22-88 2K
10 SLOW
15 CLS
20 PRINT "WHAT SALES TAX DO YO
U WANT?";",", "EXAMPLE: 7.9"
25 INPUT T
30 PRINT "T;" PERCENT SALES T
AX CHART";", "IS THIS CORRECT? Y
=Y# N=#"
35 IF INKEY#="" THEN GOTO 35
40 IF INKEY#="N" THEN GOTO 15
45 PRINT "SALES PRINTER"
50 PAUSE 452
60 FAST
65 LPRINT T;" PERCENT SALES TA
X CHART"
70 LPRINT
75 LET D=1
80 LET D#="0.00"
85 LET F#="0.00"
90 LET A=.01
95 GOSUB 200
100 LET B#=A#
105 LET C=D
110 LET A=A*(T*.01)
115 GOSUB 200
120 LET C#=A#
125 IF C#>D# THEN GOTO 155
130 SCROLL
135 LPRINT "#";F#;" --) $ ;E#;"
=#";D#
140 IF C#>=100 THEN STOP
145 LET F#=B#
150 LET D=D+1
155 IF D=81 THEN GOSUB 300
160 LET A=C
165 GOSUB 200
170 LET C#=C#
175 LET E#=A#
180 LET A=D+.01
185 GOTO 95
200 LET A#=STR$ (INT (A*100+0.5
)/100)
210 IF A$(1)="." THEN LET A#="0
"+D#
220 LET B=LEN A#-LEN STR$ INT U
AL A#
230 LET A#=A#+(".00" AND B=0)+
"0" AND B=2)
240 RETURN
300 LPRINT
310 LPRINT
320 LPRINT T;" PERCENT SALES TA
X CHART"
330 LPRINT
340 LET D=1
350 RETURN

```

Program takes several hours to run in FAST mode. Line 140 stops program when dollar amount reaches \$100. Line 155 establishes 80 line "pages", which can be cut and copied to provide chart that won't fade from heat and handling.

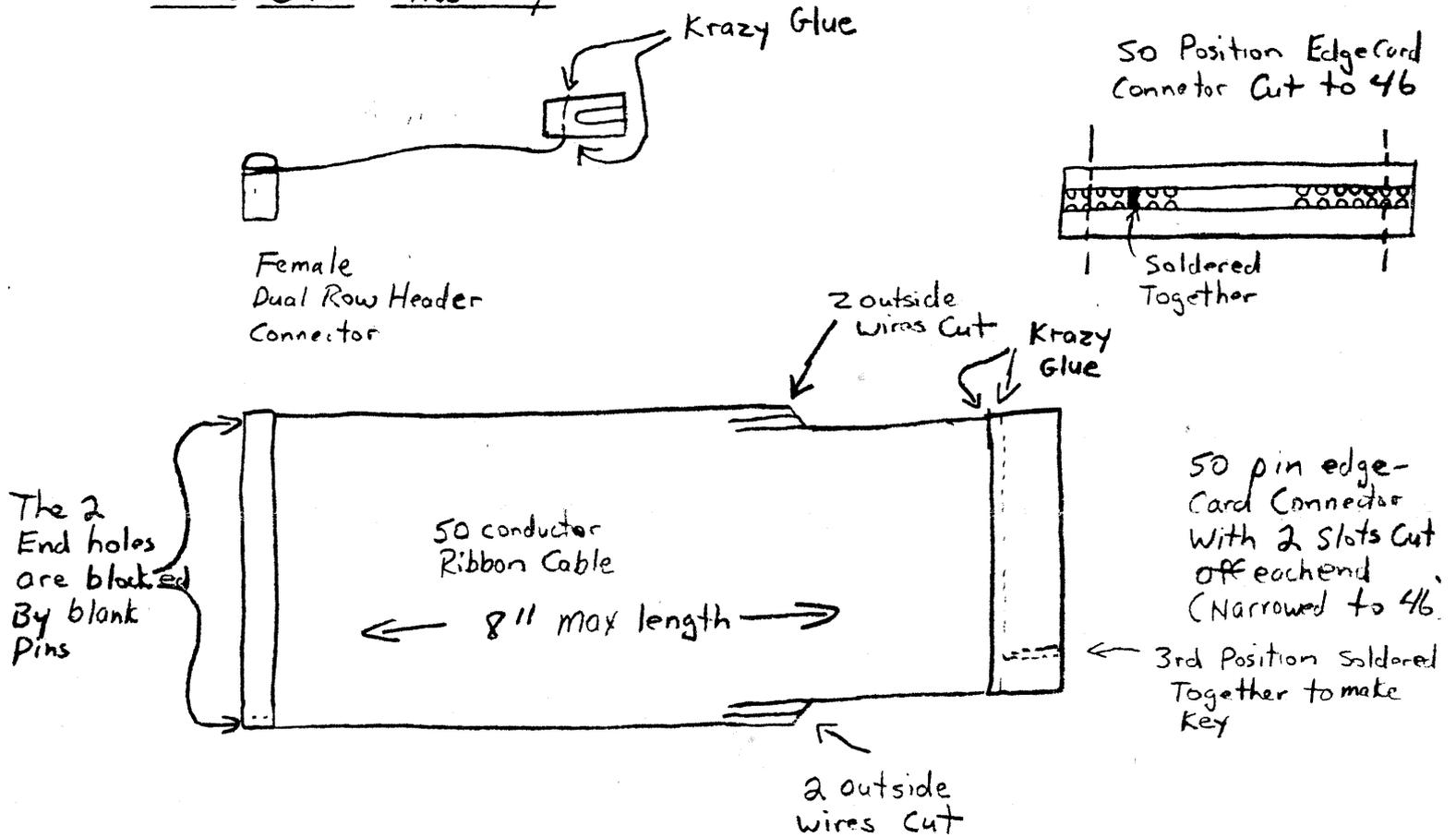
Mem Req





Larken ZX-81 Disk Interface  
 Data Encoding and Drive Control

# Buss Cable Assembly



## Component List

U1	6850	motorola	UART	5 - 150 $\Omega$ Res
U2	2716	Eprom	2KX8	2 - 470 $\Omega$ Res
U3	6116	Static Ram	2KX8	4 - 1.8K Res
U4	74HCT04	Hex	OR inverter	2 - 10K Res
U5	74HCT20	4-input	NAND	1 - 30K50K Trim pot
U6	74HCT139	Decoder		4 - .1 $\mu$ F Decoupling (Surface Mount)
U7	74HCT32	OR		2 - 470 pF
U8	74HCT174	Hex	Latch	1 - 1500 pF
U9	74LS368	Tristate	Buffer	1 - 100 pF
U10	74LS00			1 - 10 pF
U11	9602	Precision	One Shot	1 - 22 $\mu$ F 10V
U12	74LS14	<del>Hex</del> Hex	inverter	1 - 3,579 meg crystal
U13	74LS132	Quad	NAND	1 - 1N914 Diode
U14	74LS93	Counter		
U15	4017	Counter	(Cmos)	
U16	7406	OC	Driver	

### 2 Drive Extra Parts

74HCT175  
7438  
220  $\mu$ F Cap  
2 - Diodes 1N914  
1 - 47K Res

### 1 drive Extra Parts

1N914 Diodes  
1K Resistor  
220  $\mu$ F Capacitor